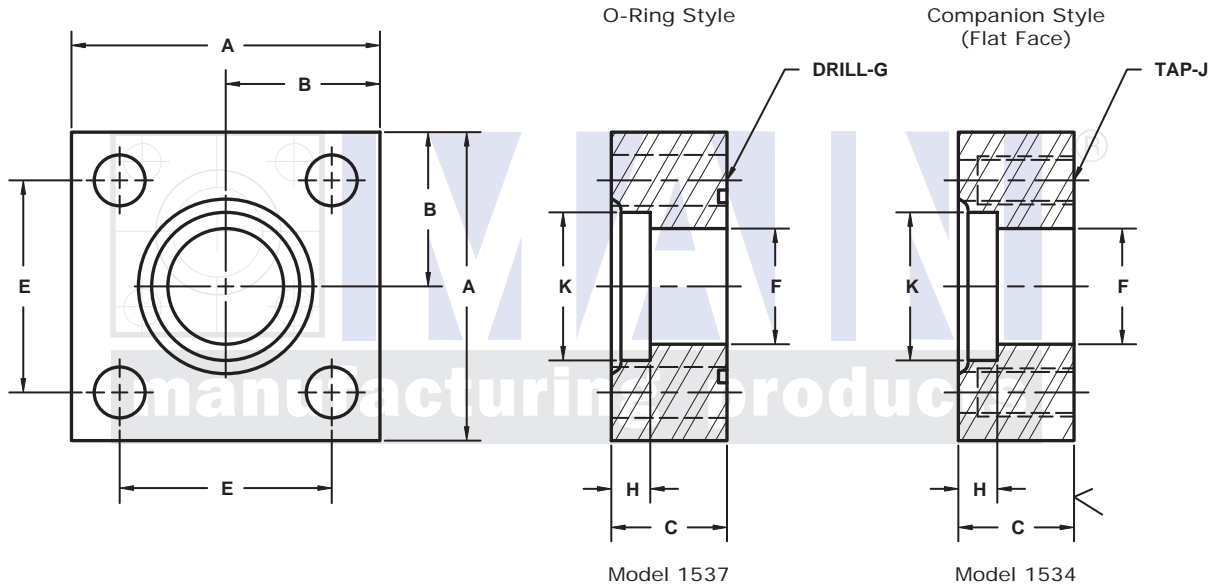


JIS B 2291, 210K, SOCKET WELD IN-LINE PIPE FLANGES

TYPE SHA & SHB(TAPPED)

*For American Pipe
and JIS O-Ring*



3181 TRI-PARK DR. GRAND BLANC, MI 48439 800-521-7918 810-953-1380 FAX 810-953-1385 INFO@MAINMFG.COM

FLANGE SIZE	PIPE SIZE	PART NUMBER	A	B	C	Emm	E	F	Gmm Jmm	H	K	MOUNTING KIT [Ⓞ]			WT
												PART NO.	BOLT SIZE	O-RING	
15	15	1537-08-08M	2.50	1.25	.87	40.0	1.574	.63	11.0	.50	.860	MKM 4571	M10 x 40	G25	1.3
		M10x1.5							-----			---			
20	15	1537-12-08M	2.75	1.38	.87	45.0	1.772	.63	11.0	.50	.860	MKM 4572	M10 x 40	G30	1.6
		M10x1.5							-----			---			
20	20	1537-12-12M	2.75	1.38	.87	45.0	1.772	.81	11.0	.50	1.070	MKM 4572	M10 x 40	G30	1.5
		M10x1.5							-----			---			
25	20	1537-16-12M	3.25	1.62	1.10	53.0	2.086	.81	13.0	.50	1.070	MKM 4573	M12 x 50	G35	2.8
		M12x1.75							-----			---			
25	25	1537-16-16M	3.25	1.62	1.10	53.0	2.086	.98	13.0	.50	1.335	MKM 4573	M12 x 50	G35	2.5
		M12x1.75							-----			---			
32	25	1537-20-16M	3.50	1.75	1.10	63.0	2.480	.98	13.0	.50	1.335	MKM 4574	M12 x 50	G40	3.1
		M12x1.75							-----			---			
32	32	1537-20-20M	3.50	1.75	1.10	63.0	2.480	1.24	13.0	.50	1.680	MKM 4574	M12 x 50	G40	2.9
		M12x1.75							-----			---			
40	32	1537-24-20M	4.00	2.00	1.38	70.0	2.756	1.24	18.0	.50	1.680	MKM 4575	M16 x 60	G50	5.0
		M16x2							-----			---			
40	40	1537-24-24M	4.00	2.00	1.38	70.0	2.756	1.48	18.0	.62	1.920	MKM 4575	M16 x 60	G50	4.7
		M16x2							-----			---			
50	40	1537-32-24M	4.50	2.25	1.38	80.0	3.150	1.48	18.0	.62	1.920	MKM 4576	M16 x 60	G60	5.8
		M16x2							-----			---			
50	50	1537-32-32M	4.50	2.25	1.38	80.0	3.150	1.87	18.0	.62	2.411	MKM 4576	M16 x 60	G60	5.7
		M16x2							-----			---			
65	50	1537-40-32M	5.50	2.75	1.75	100.0	3.937	1.87	22.0	.62	2.411	MKM 4577	M20 x 75	G75	10.7
		M20x2.5							-----			---			
65	65	1537-40-40M	5.50	2.75	1.75	100.0	3.937	2.36	22.0	.75	2.911	MKM 4577	M20 x 75	G75	10.4
		M20x2.5							-----			---			
80	80	1537-48-48M	6.25	3.12	1.75	112.0	4.409	2.80	24.0	.75	3.540	MKM 4578	M22 x 80	G85	13.0
		M22x2.5							-----			---			

Ⓞ Order Separately

NOTE: DIMENSIONS ARE IN INCHES UNLESS OTHERWISE NOTED.

© Copyright Main Mfg 2012