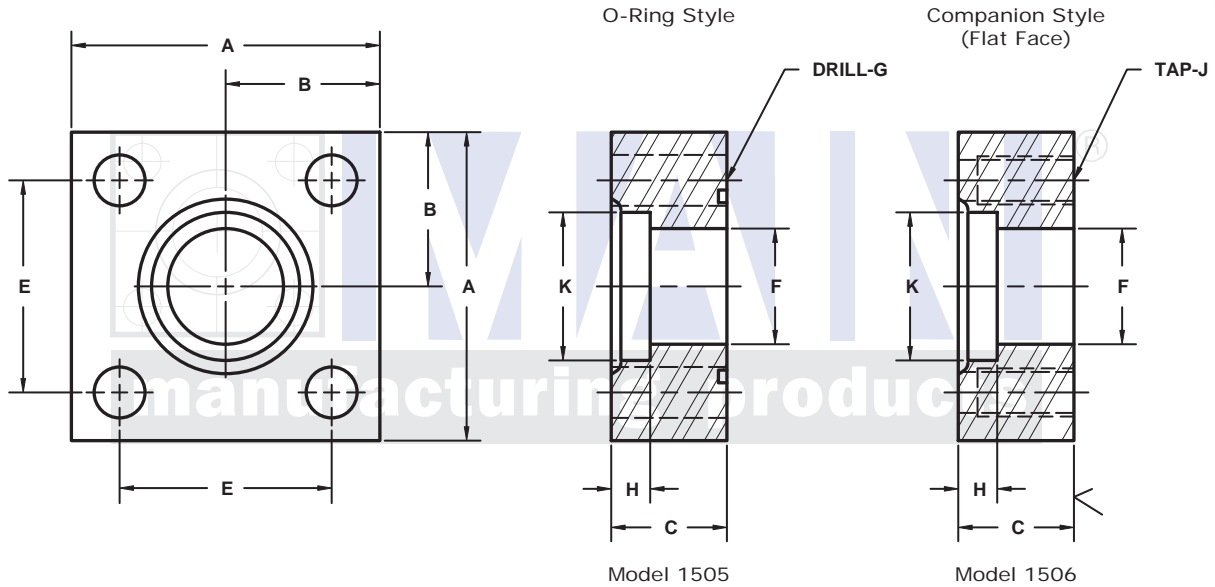


JIS B 2291, 210K, SOCKET WELD IN-LINE PIPE FLANGES

TYPE SSA & SSB For JIS Pipe and JIS O-Ring



3181 TRI-PARK DR. GRAND BLANC, MI 48439 800-521-7918 810-953-1380 FAX 810-953-1385 INFO@MAINMFG.COM

FLANGE SIZE	PIPE SIZE	PART NUMBER	A	B	C	Emm	E	F	Gmm		H	K	MOUNTING KIT®			WT
									Jmm				PART NO.	BOLT SIZE	O-RING	
15	15	1505-08-08M	2.25	1.12	.87	36.0	1.417	.63	11.0	.43	.874	MKM 4571	M10 x 40	G25	1.0	
		M10x1.5							-----							---
20	15	1505-12-08M	2.25	1.12	.87	40.0	1.574	.63	11.0	.43	.874	MKM 4572	M10 x 40	G30	1.0	
		M10x1.5							-----							---
20	20	1505-12-12M	2.25	1.12	.87	40.0	1.574	.81	11.0	.47	1.091	MKM 4572	M10 x 40	G30	.9	
		M10x1.5							-----							---
25	20	1505-16-12M	2.75	1.38	1.10	48.0	1.890	.81	13.0	.47	1.091	MKM 4573	M12 x 50	G35	1.8	
		M12x1.75							-----							---
25	25	1505-16-16M	2.75	1.38	1.10	48.0	1.890	.98	13.0	.55	1.358	MKM 4573	M12 x 50	G35	1.7	
		M12x1.75							-----							---
32	25	1505-20-16M	3.00	1.50	1.10	56.0	2.205	.98	13.0	.55	1.358	MKM 4574	M12 x 50	G40	1.6	
		M12x1.75							-----							---
32	32	1505-20-20M	3.00	1.50	1.10	56.0	2.205	1.24	13.0	.63	1.701	MKM 4574	M12 x 50	G40	1.4	
		M12x1.75							-----							---
40	32	1505-24-20M	3.75	1.88	1.38	65.0	2.559	1.24	18.0	.63	1.701	MKM 4575	M16 x 60	G50	4.2	
		M16x2							-----							---
40	40	1505-24-24M	3.75	1.88	1.38	65.0	2.559	1.48	18.0	.71	1.933	MKM 4575	M16 x 60	G50	3.9	
		M16x2							-----							---
50	40	1505-32-24M	4.00	2.00	1.38	73.0	2.874	1.48	18.0	.71	1.933	MKM 4576	M16 x 60	G60	4.5	
		M16x2							-----							---
50	50	1505-32-32M	4.00	2.00	1.38	73.0	2.874	1.87	18.0	.79	2.406	MKM 4576	M16 x 60	G60	4.3	
		M16x2							-----							---
65	50	1505-40-32M	5.00	2.50	1.75	92.0	3.622	1.87	22.0	.79	2.406	MKM 4577	M20 x 75	G75	8.8	
		M20x2.5							-----							---
65	65	1505-40-40M	5.00	2.50	1.75	92.0	3.622	2.36	22.0	.86	3.035	MKM 4577	M20 x 75	G75	8.6	
		M20x2.5							-----							---
80	80	1505-48-48M	5.50	2.75	1.75	103.0	4.055	2.80	24.0	.98	3.543	MKM 4578	M22 x 80	G85	9.5	
		M22x2.5							-----							---

① Order Separately

NOTE: DIMENSIONS ARE IN INCHES UNLESS OTHERWISE NOTED.

© Copyright Main Mfg 2012