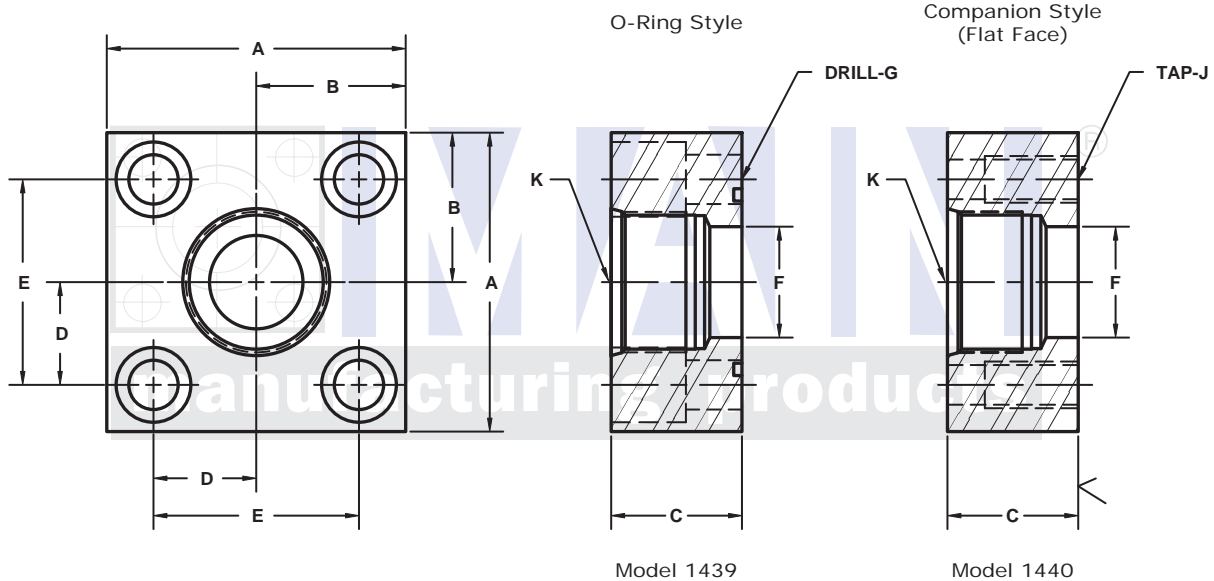
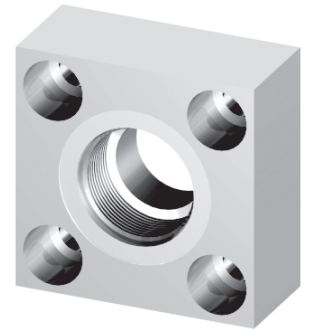


# 4 BOLT SQUARE, SAE ST THREADED IN-LINE FLANGES

## 3000 SERIES



3181 TRI-PARK DR. GRAND BLANC, MI 48439 800-521-7918 810-953-1380 FAX 810-953-1385 INFO@MAINMFG.COM

FLANGE SIZE	PORT SIZE	PART NUMBER	A	B	C	D	E	F	G		K	MOUNTING KIT®			WT
									J			PART NO.	BOLT SIZE	O-RING	
1/2	-6	1439-08-06	2.25	1.12	1.25	.719	1.438	.47	.41	9/16-18	MK 580	3/8-16 x 1 1/4	216	---	1.5
		3/8-16							---						
1/2	-8	1439-08-08	2.25	1.12	1.25	.719	1.438	.50	.41	3/4-16	MK 580	3/8-16 x 1 1/4	216	---	1.5
		3/8-16							---						
3/4	-10	1439-12-10	2.25	1.12	1.25	.719	1.438	.50	.41	7/8-14	MK 580	3/8-16 x 1 1/4	216	---	1.4
		3/8-16							---						
3/4	-12	1439-12-12	2.25	1.12	1.50	.719	1.438	.75	.41	1 1/16-12	MK 1522	3/8-16 x 1 1/2	216	---	1.4
		3/8-16							---						
1	-12	1439-16-12	3.00	1.50	1.50	1.000	2.000	.94	.53	1 1/16-12	MK 1523	1/2-13 x 1 1/2	222	---	3.0
		1/2-13							---						
1	-14	1439-16-14	3.00	1.50	1.50	1.000	2.000	.75	.53	1 3/16-12	MK 1523	1/2-13 x 1 1/2	222	---	2.8
		1/2-13							---						
1	-16	1439-16-16	3.00	1.50	1.50	1.000	2.000	1.00	.53	1 5/16-12	MK 1523	1/2-13 x 1 1/2	222	---	2.7
		1/2-13							---						
1 1/4	-20	1439-20-20	3.00	1.50	1.50	1.000	2.000	1.25	.53	1 5/8-12	MK 1523	1/2-13 x 1 1/2	222	---	2.5
		1/2-13							---						
1 1/2	-16	1439-24-16	4.00	2.00	1.75	1.375	2.750	1.20	.66	1 5/16-12	MK 1524	5/8-11 x 1 3/4	228	---	6.1
		5/8-11							---						
1 1/2	-20	1439-24-20	4.00	2.00	1.75	1.375	2.750	1.50	.66	1 5/8-12	MK 1524	5/8-11 x 1 3/4	228	---	6.0
		5/8-11							---						
1 1/2	-24	1439-24-24	4.00	2.00	1.75	1.375	2.750	1.50	.66	1 7/8-12	MK 1524	5/8-11 x 1 3/4	228	---	5.7
		5/8-11							---						
2	-32	1439-32-32	4.00	2.00	1.75	1.375	2.750	1.94	.66	2 1/2-12	MK 1524	5/8-11 x 1 3/4	228	---	4.8
		5/8-11							---						

① Order Separately

NOTE: The pressure rating of the assembly should not exceed the lower of the flange pad or the fitting. Check the fitting manufacturer for details.