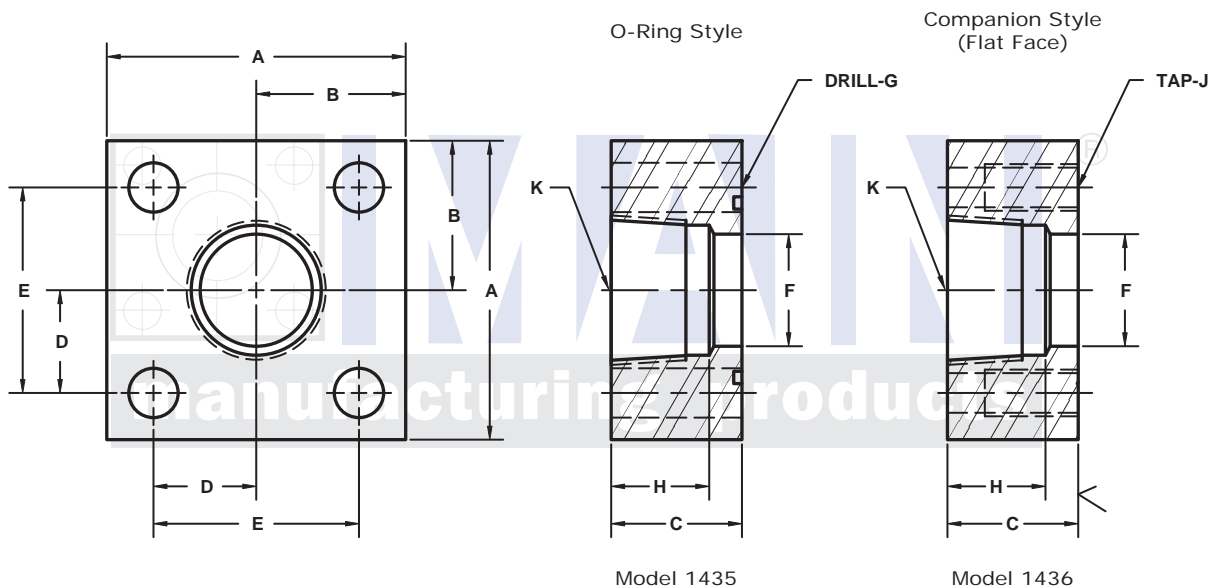
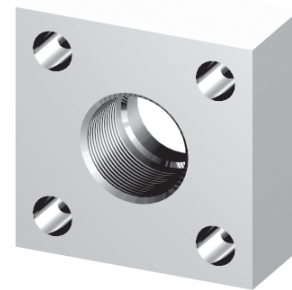
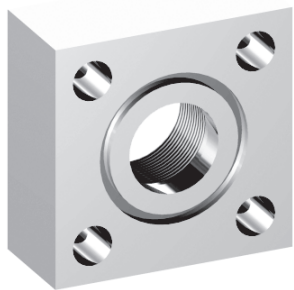


# 4 BOLT SQUARE, NPTF THREADED IN-LINE FLANGES

## 3000 SERIES



3181 TRI-PARK DR. GRAND BLANC, MI 48439 800-521-7918 810-953-1380 FAX 810-953-1385 INFO@MAINMFG.COM

FLANGE SIZE	PIPE SIZE	PART NUMBER	A	B	C	D	E	F	G		H	K	MOUNTING KIT <sup>Ⓞ</sup>			WT
									J				PART NO.	BOLT SIZE	O-RING	
1/2	1/2	1435-08-08	2.25	1.12	1.25	.719	1.438	.50	.41	1.06	1/2	MK 538	3/8-16 x 2	216	1.5	
		3/8-16							---							
3/4	3/4	1435-12-12	2.25	1.12	1.25	.719	1.438	.75	.41	1.06	3/4	MK 538	3/8-16 x 2	216	1.4	
		3/8-16							---							
1	1	1435-16-16	3.00	1.50	1.50	1.000	2.000	1.00	.53	1.25	1	MK 539	1/2-13 x 2 1/4	222	3.1	
		1/2-13							---							
1 1/4	1 1/4	1435-20-20	3.00	1.50	1.50	1.000	2.000	1.25	.53	1.31	1 1/4	MK 539	1/2-13 x 2 1/4	222	2.7	
		1/2-13							---							
1 1/2	1 1/4	1435-24-20	4.00	2.00	1.75	1.375	2.750	1.50	.66	NA	1 1/4	MK 540	5/8-11 x 2 3/4	228	6.2	
		5/8-11							---							
1 1/2	1 1/2	1435-24-24	4.00	2.00	1.75	1.375	2.750	1.50	.66	1.31	1 1/2	MK 540	5/8-11 x 2 3/4	228	6.2	
		5/8-11							---							
2	2	1435-32-32	4.00	2.00	1.75	1.375	2.750	1.94	.66	1.31	2	MK 540	5/8-11 x 2 3/4	228	5.5	
		5/8-11							---							
2 1/2	2	1435-40-32	5.50	2.75	2.25	1.875	3.750	2.12	.94	NA	2	MK 1517	7/8-9 x 3 1/2	236	14.8	
		7/8-9							---							
2 1/2	2 1/2	1435-40-40	5.50	2.75	2.25	1.875	3.750	2.44	.94	1.75	2 1/2	MK 1517	7/8-9 x 3 1/2	236	14.5	
		7/8-9							---							
3	3	1435-48-48	5.50	2.75	2.25	1.875	3.750	2.88	.94	1.91	3	MK 1517	7/8-9 x 3 1/2	236	12.8	
		7/8-9							---							

Ⓞ Order Separately