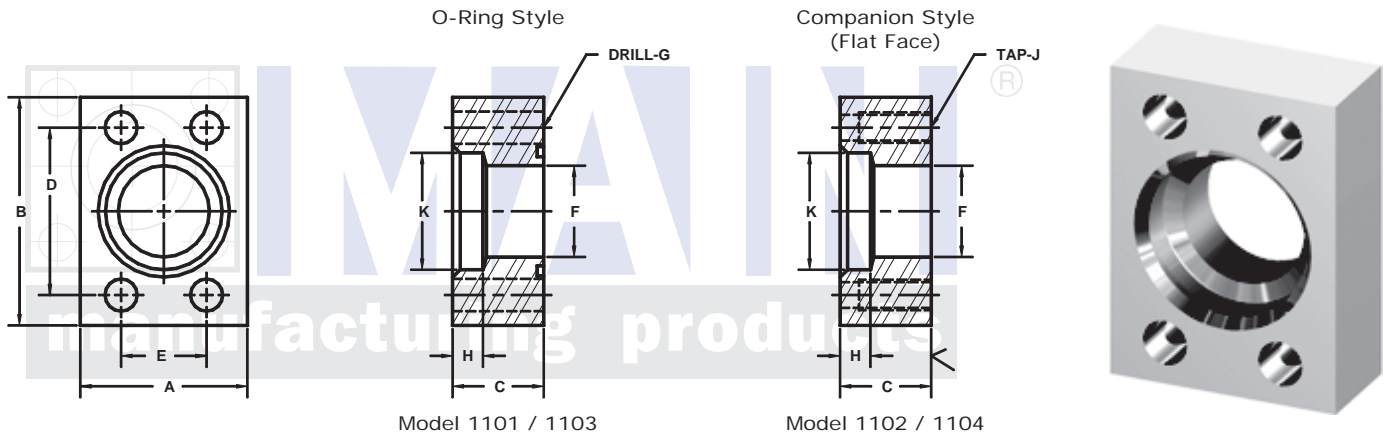


# SOCKET WELD IN-LINE PIPE FLANGES

SAE BOLT PATTERN										61 SERIES					
FLANGE SIZE	PIPE SIZE	PART NUMBER	A	B	C	D	E	F	G J	H	K	MOUNTING KIT®			WT
												PART NO.	BOLT SIZE	O-RING	
1/2	1/2	1101-08-08	1.50	2.12	.75	1.500	.688	.50	.34	.38	.860	MK 501	5/16-18 x 1 1/4	210	.5
		1102-08-08							5/16-18			-----	---		
3/4	3/4	1101-12-12	1.75	2.62	1.00	1.875	.875	.75	.41	.50	1.070	MK 502	3/8-16 x 1 3/4	214	1.0
		1102-12-12							3/8-16			-----	---		
1	1	1101-16-16	2.00	2.82	1.00	2.062	1.031	1.00	.41	.50	1.335	MK 503	3/8-16 x 1 3/4	219	1.2
		1102-16-16							3/8-16			-----	---		
1 1/4	1 1/4	1101-20-20	2.50	3.19	1.00	2.312	1.188	1.25	.47	.50	1.680	MK 504	7/16-14 x 1 3/4	222	1.5
		1102-20-20							7/16-14			-----	---		
1 1/2	1 1/2	1101-24-24	2.75	3.75	1.25	2.750	1.406	1.50	.53	.50	1.920	MK 505	1/2-13 x 2	225	2.5
		1102-24-24							1/2-13			-----	---		
2	2	1101-32-32	3.25	4.00	1.50	3.062	1.688	1.94	.53	.62	2.411	MK 506	1/2-13 x 2 1/4	228	3.6
		1102-32-32							1/2-13			-----	---		
2 1/2 <sup>②</sup>	2 1/2	1101-40-40	4.00	4.50	1.75	3.500	2.000	2.44	.53	.75	2.911	MK 507	1/2-13 x 2 1/2	232	5.7
		1102-40-40							1/2-13			-----	---		
3 <sup>③</sup>	3	1101-48-48	4.50	5.31	2.00	4.188	2.438	2.94	.66	.75	3.540	MK 508	5/8-11 x 3	237	8.3
		1102-48-48							5/8-11			-----	---		
3 1/2 <sup>④</sup>	3 1/2	1101-56-56	5.00	6.00	1.50	4.750	2.750	3.44	.66	.75	4.045	MK 509	5/8-11 x 2 1/2	241	7.5
		1102-56-56							5/8-11			-----	---		
4 <sup>④</sup>	4	1101-64-64	5.50	6.38	1.50	5.125	3.062	3.94	.66	.75	4.550	MK 510	5/8-11 x 2 1/2	245	8.3
		1102-64-64							5/8-11			-----	---		
5 <sup>④</sup>	5	1101-80-80	7.00	7.25	2.00	6.000	3.625	4.94	.66	.75	5.635	MK 511	5/8-11 x 3	253	16.0
		1102-80-80							5/8-11			-----	---		



3181 TRI-PARK DR. GRAND BLANC, MI 48439 800-521-7918 810-953-1380 FAX 810-953-1385 INFO@MAINMFG.COM

SAE BOLT PATTERN										62 SERIES					
FLANGE SIZE	PIPE SIZE	PART NUMBER	A	B	C	D	E	F	G J	H	K	MOUNTING KIT®			WT
												PART NO.	BOLT SIZE	O-RING	
1/2	1/2	1103-08-08	1.75	2.22	1.00	1.594	.718	.50	.34	.50	.860	MK 512	5/16-18 x 1 1/2	210	.8
		1104-08-08							5/16-18			-----	---		
3/4	3/4	1103-12-12	2.00	2.81	1.00	2.000	.937	.75	.41	.50	1.070	MK 502	3/8-16 x 1 3/4	214	1.3
		1104-12-12							3/8-16			-----	---		
1	1	1103-16-16	2.25	3.19	1.00	2.250	1.093	1.00	.47	.50	1.335	MK 513	7/16-14 x 1 3/4	219	1.5
		1104-16-16							7/16-14			-----	---		
1 1/4	1 1/4	1103-20-20	2.75	3.75	1.25	2.625	1.250	1.25	.53	.50	1.680	MK 514	1/2-13 x 2 1/4	222	2.7
		1104-20-20							1/2-13			-----	---		
1 1/2	1 1/2	1103-24-24	3.25	4.50	1.50	3.125	1.437	1.50	.66	.50	1.920	MK 515	5/8-11 x 2 1/2	225	4.8
		1104-24-24							5/8-11			-----	---		
2	2	1103-32-32	4.00	5.25	1.75	3.812	1.750	1.94	.78	.62	2.411	MK 516	3/4-10 x 3	228	7.8
		1104-32-32							3/4-10			-----	---		
2 1/2 <sup>⑤</sup>	2 1/2	1103-40-40	5.00	6.88	2.00	4.875	2.312	2.44	.94	.62	2.911	MK 517	7/8-9 x 3 1/2	232	15.2
		1104-40-40							7/8-9			-----	---		
3 <sup>⑤</sup>	3	1103-48-48	6.00	8.50	2.50	6.000	2.812	2.94	1.19	.62	3.540	MK 718	1 1/8-7 x 4 1/2	237	28.0
		1104-48-48							1 1/8-7			-----	---		

① Order Separately ② 2500 PSI Max ③ 2000 PSI Max ④ 500 PSI Max ⑤ Not Included in SAE J518 specifications