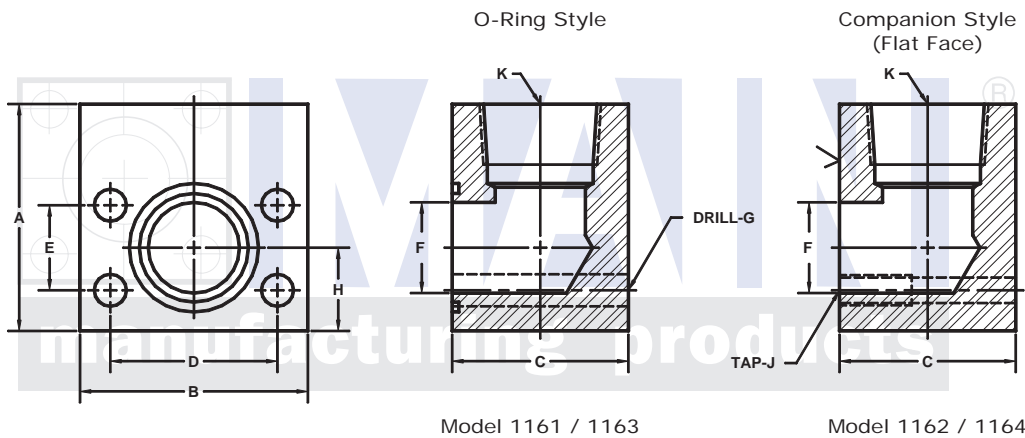


NPTF THREADED ELBOW FLANGES

SAE BOLT PATTERN										61 SERIES					
FLANGE SIZE	PIPE SIZE	PART NUMBER	A	B	C	D	E	F	G	H	K NPTF	MOUNTING KIT®			WT
									J			PART NO.	BOLT SIZE	O-RING	
1/2	1/2	1161-08-08	2.00	2.12	1.44	1.500	.688	.50	.34	.75	1/2	MK 541	5/16-18 x 2	210	1.5
		5/16-18							-----			---			
3/4	3/4	1161-12-12	2.50	2.62	1.70	1.875	.875	.75	.41	.88	3/4	MK 542	3/8-16 x 2 1/2	214	2.6
		3/8-16							-----			---			
1	1	1161-16-16	3.00	2.82	1.94	2.062	1.031	1.00	.41	1.00	1	MK 543	3/8-16 x 2 3/4	219	3.5
		3/8-16							-----			---			
1 1/4	1 1/4	1161-20-20	3.50	3.19	2.40	2.312	1.188	1.25	.47	1.25	1 1/4	MK 578	7/16-14 x 3 1/4	222	6.2
		7/16-14							-----			---			
1 1/2	1 1/2	1161-24-24	4.00	3.75	2.90	2.750	1.406	1.50	.53	1.38	1 1/2	MK 545	1/2-13 x 4	225	9.9
		1/2-13							-----			---			
2	2	1161-32-32	4.50	4.00	2.96	3.062	1.688	1.94	.53	1.62	2	MK 558	1/2-13 x 4	228	10.7
		1/2-13							-----			---			
2 1/2 ^②	2 1/2	1161-40-40	5.00	4.50	3.96	3.500	2.000	2.44	.53	2.00	2 1/2	MK 547	1/2-13 x 5	232	17.7
		1/2-13							-----			---			
3 ^③	3	1161-48-48	6.00	5.31	4.46	4.188	2.438	2.94	.66	2.25	3	MK 2532	5/8-11 x 5 1/2	237	27.6
		5/8-11							-----			---			



3181 TRI-PARK DR. GRAND BLANC, MI 48439 800-521-7918 810-953-1380 FAX 810-953-1385 INFO@MAINMFG.COM

SAE BOLT PATTERN										62 SERIES					
FLANGE SIZE	PIPE SIZE	PART NUMBER	A	B	C	D	E	F	G	H	K NPTF	MOUNTING KIT®			WT
									J			PART NO.	BOLT SIZE	O-RING	
1/2	1/2	1163-08-08	2.00	2.22	1.46	1.594	.718	.50	.34	.88	1/2	MK 541	5/16-18 x 2	210	1.6
		5/16-18							-----			---			
3/4	3/4	1163-12-12	2.50	2.81	1.70	2.000	.937	.75	.41	1.00	3/4	MK 542	3/8-16 x 2 1/2	214	2.8
		3/8-16							-----			---			
1	1	1163-16-16	3.00	3.19	1.96	2.250	1.093	1.00	.47	1.12	1	MK 551	7/16-14 x 2 3/4	219	4.4
		7/16-14							-----			---			
1 1/4	1 1/4	1163-20-20	4.00	3.75	2.44	2.625	1.250	1.25	.53	1.38	1 1/4	MK 552	1/2-13 x 3 1/4	222	6.7
		1/2-13							-----			---			
1 1/2	1 1/2	1163-24-24	4.00	4.50	2.96	3.125	1.437	1.50	.66	1.62	1 1/2	MK 553	5/8-11 x 4	225	12.1
		5/8-11							-----			---			
2	2	1163-32-32	5.00	5.25	3.46	3.812	1.750	1.94	.78	2.00	2	MK 554	3/4-10 x 4 1/2	228	20.2
		3/4-10							-----			---			
2 1/2 ^④	2 1/2	1163-40-40	6.00	6.88	4.00	4.875	2.312	2.44	.94	2.50	2 1/2	MK 555	7/8-9 x 5 1/2	232	37.9
		7/8-9							-----			---			
3 ^④	3	1163-48-48	7.00	8.50	5.00	6.000	2.812	2.94	1.19	3.00	3	MK 756	1 1/8-7 x 7	237	69.0
		1 1/8-7							-----			---			

① Order Separately ② 2500 PSI Max ③ 2000 PSI Max ④ Not Included in SAE J518 specifications