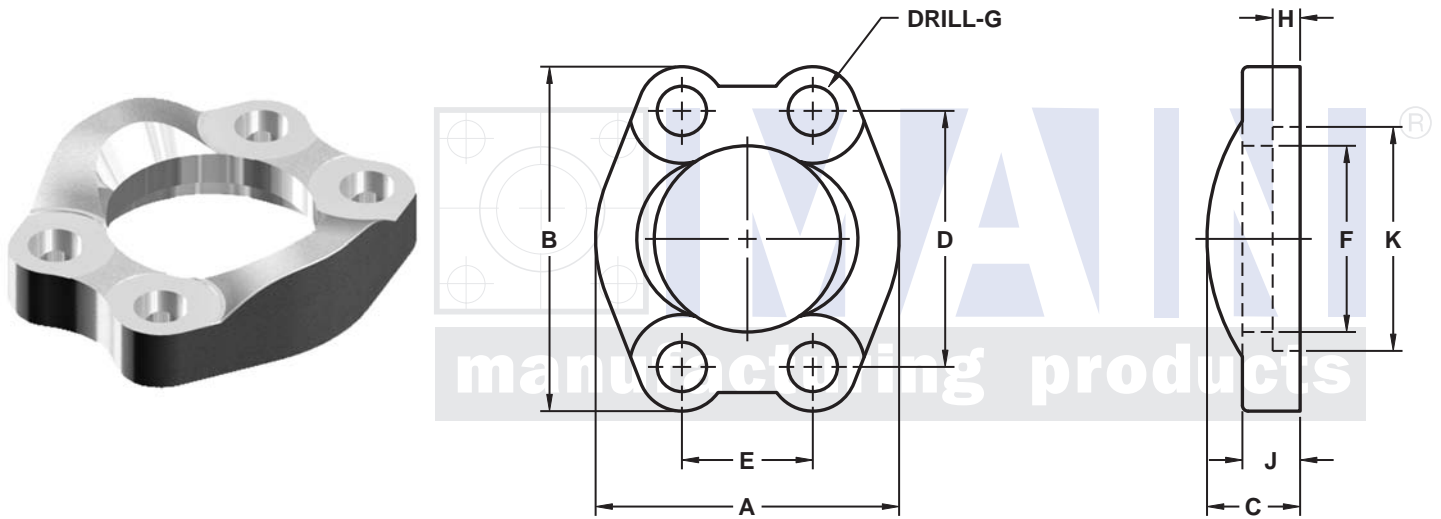


FLANGED CLAMPS

With Clearance Bolt Holes

FLANGE SIZE	PART NUMBER	SAE BOLT PATTERN										61 SERIES				WT
		A	B	C	D	E	F	G	H	J	K	MOUNTING KIT®				
												PART NO.	BOLT SIZE	O-RING		
1/2	1221-08-08	1.81	2.12	.75	1.500	.688	.955	.34	.245	.50	1.219	MK 701	5/16-18x1 1/4	210	.3	
3/4	1221-12-12	2.05	2.56	.88	1.875	.875	1.265	.41	.245	.56	1.531	MK 1743	3/8-16x1 1/4	214	.4	
1	1221-16-16	2.31	2.75	.94	2.062	1.031	1.515	.41	.295	.62	1.781	MK 2735	3/8-16x1 1/4	219	.5	
1 1/4	1221-20-20	2.88	3.12	.88	2.312	1.188	1.720	.47	.295	.56	2.031	MK 1727	7/16-14x1 1/4	222	.8	
1 1/2	1221-24-24	3.25	3.69	1.00	2.750	1.406	2.000	.53	.295	.62	2.406	MK 2736	1/2-13x1 1/2	225	.9	
2	1221-32-32	3.81	4.00	1.03	3.062	1.688	2.047	.53	.355	.62	2.844	MK 2737	1/2-13x1 1/2	228	1.2	
2 1/2 ^②	1221-40-40	4.28	4.50	1.50	3.500	2.000	2.950	.53	.355	.75	3.344	MK 1728	1/2-13x1 3/4	232	1.9	
3 ^③	1221-48-48	5.16	5.31	1.62	4.188	2.438	3.580	.66	.355	.88	4.031	MK 1711	5/8-11x2	237	2.9	
3 1/2 ^④	1221-56-56	5.50	6.00	1.12	4.750	2.750	4.030	.66	.422	.88	4.531	MK 1771	5/8-11x2	241	3.4	
4 ^④	1221-64-64	6.00	6.38	1.38	5.125	3.062	4.530	.66	.422	1.00	5.031	MK 1772	5/8-11x2	245	3.9	



3181 TRI-PARK DR. GRAND BLANC, MI 48439 800-521-7918 810-953-1380 FAX 810-953-1385 INFO@MAINMFG.COM

FLANGE SIZE	PART NUMBER	SAE BOLT PATTERN										62 SERIES				WT
		A	B	C	D	E	F	G	H	J	K	MOUNTING KIT®				
												PART NO.	BOLT SIZE	O-RING		
1/2	1223-08-08	1.88	2.22	.88	1.594	.718	.970	.34	.285	.62	1.281	MK 701	5/16-18x1 1/4	210	.4	
3/4	1223-12-12	2.38	2.81	1.12	2.000	.937	1.280	.41	.325	.75	1.656	MK 1725	3/8-16x1 1/2	214	.8	
1	1223-16-16	2.75	3.19	1.31	2.250	1.093	1.530	.47	.355	.94	1.906	MK 713	7/16-14x1 3/4	219	1.2	
1 1/4	1223-20-20	3.06	3.75	1.50	2.625	1.250	1.750	.53	.385	1.06	2.156	MK 2740	1/2-13x2	222	1.8	
1 1/2	1223-24-24	3.75	4.44	1.69	3.125	1.437	2.030	.66	.475	1.19	2.531	MK 2741	5/8-11x2 1/4	225	3.0	
2	1223-32-32	4.50	5.25	2.06	3.812	1.750	2.660	.78	.475	1.44	3.156	MK 2743	3/4-10x2 3/4	228	4.7	

① Order Separately ② 2500 PSI Max ③ 2000 PSI Max ④ 500 PSI Max